

A red circle containing a white lowercase letter 'i', indicating an information or instruction section.

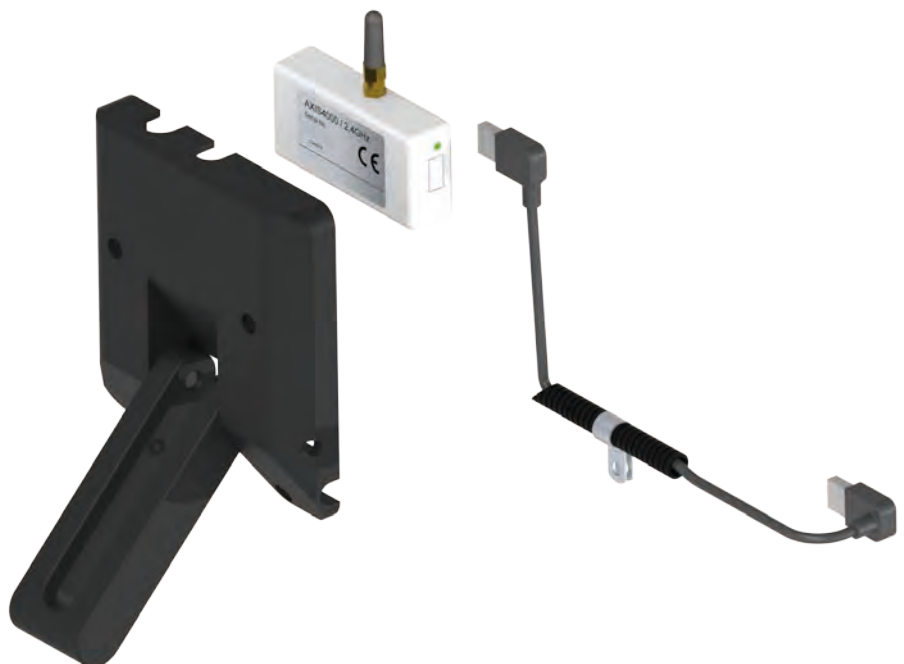
ASSEMBLY INSTRUCTION MONTAGEANLEITUNG



Installation of the tripod on the Handheld PC

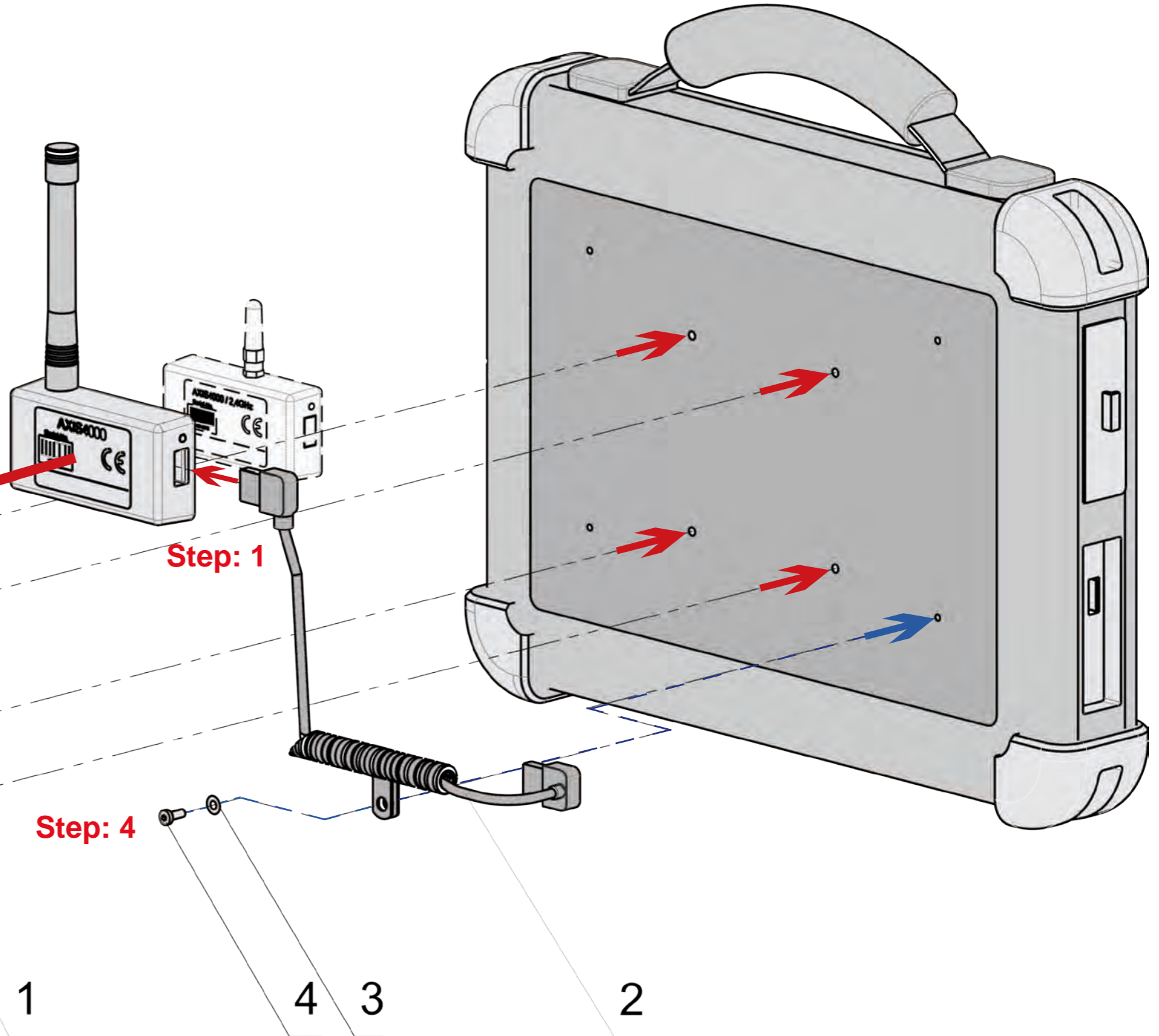
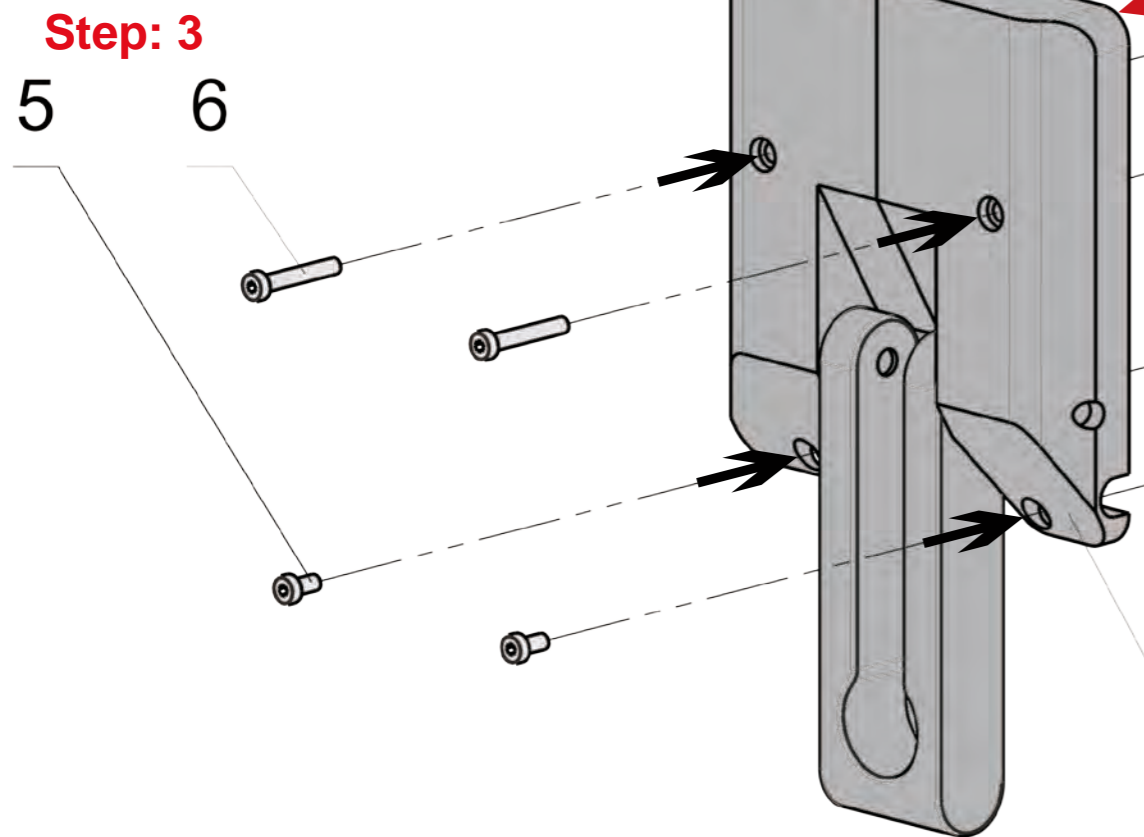
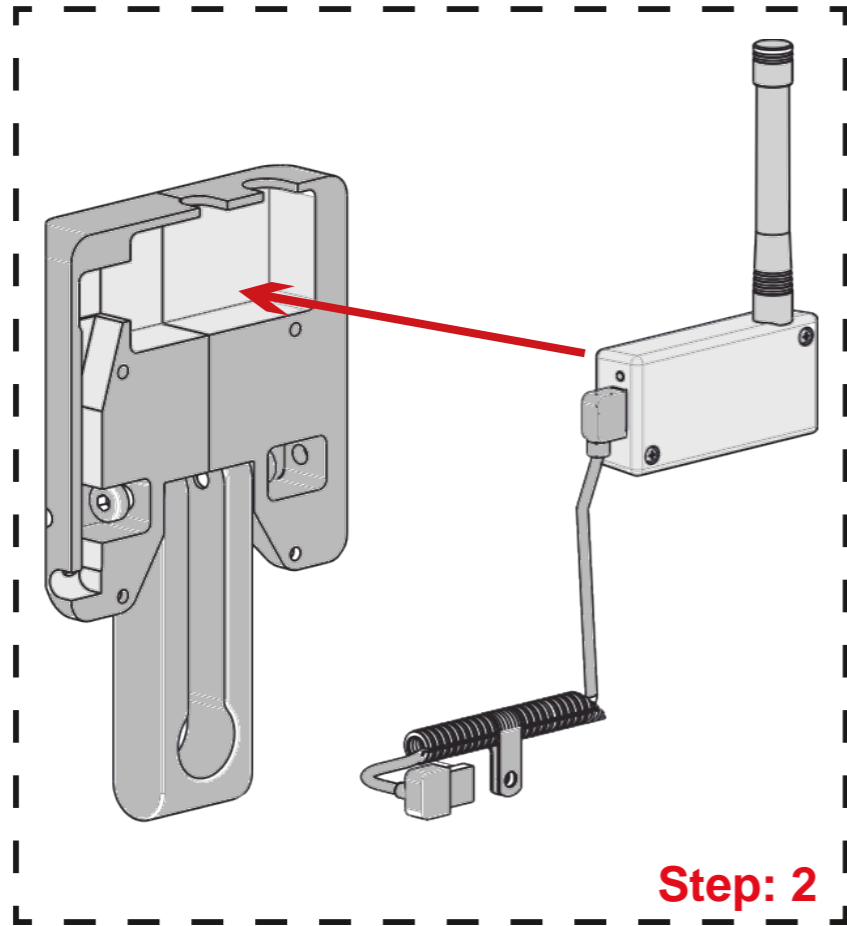


Montage des Stativs am Handheld PC





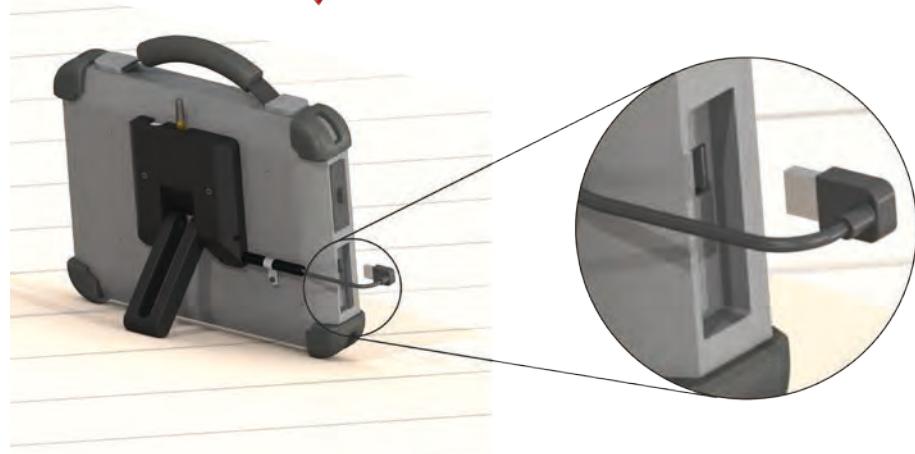
Pos. 1	Tripod / Stativ	1 x
Pos. 2	USB-cable / USB-Kabel	1 x
Pos. 3	Washer / Unterlegscheibe DIN125-A3	1 x
Pos. 4	Cylinder screw / Zylinderschraube DIN7984-M3x8	1 x
Pos. 5	Cylinder screw / Zylinderschraube DIN7984-M4x8	2 x
Pos. 6	Cylinder screw / Zylinderschraube DIN7984-M4x25	2 x





**Step 1:
install**

Software AXIS4000



**Step 2:
connect**

USB-cable from Radio Server
USB-Kabel vom Sender

