



# AXIS50LM

Optical Wheel Alignment

Laser System

## Laser wheel alignment system for tractors and agricultural machinery



Toe alignment in modern tractors and agricultural machinery is as important as in cars and utility vehicles.

The toe can only be correctly aligned if it is set up correctly. In the new generation of tractors, the toe can no longer be aligned and adjusted using a toe bar as there are two adjustable track rods and the partial toe must therefore be identified for each wheel before adjustment.

Scan the QR code  
and look at the  
RPV1300 video!





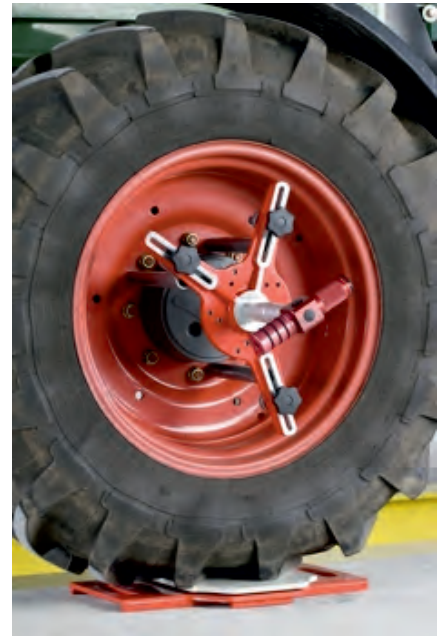
The mobile HAWEKA AXIS50 LM laser wheel alignment system guarantees quick and precise axle alignment, allowing you to adjust the partial toe accurately and as required by the manufacturer for each wheel.

The AXIS50 LM is used exclusively for quick measurement of the chassis geometry.

For front axle and steered axles:

- **Total toe**
- **Partial toe**
- **Camber \***
- **Toe difference angle**

\* (Electronic inclinometer required as optional accessory)



### Performance features:

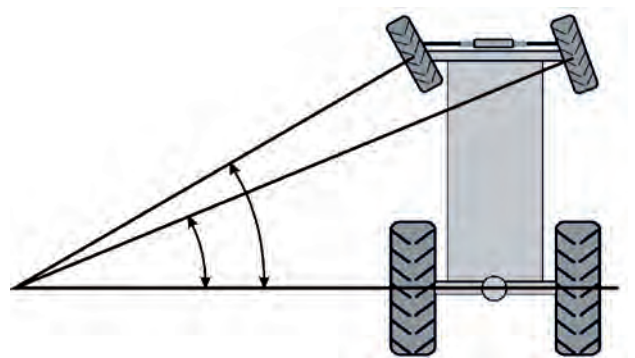
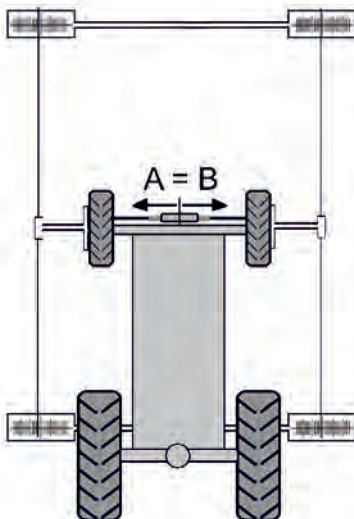
- Measure in drive position; no raising necessary
- Equipment trolley included in the scope of delivery
- Easy attachment of the measuring heads with magnetic feet
- The **AXIS50** LM laser wheel alignment system allows you to align and adjust the axles of agricultural machinery with split track rods.



*Aligning the steering centre position and determining the total and partial toe values*



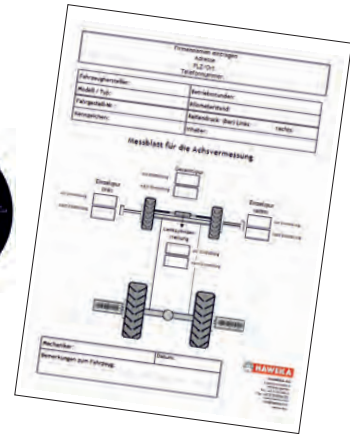
*Determining the toe difference angle*





## Wheel alignment record as template on CD

Use the record template on the provided CD to enter all relevant vehicle data and the measurements you have made in a clear format.



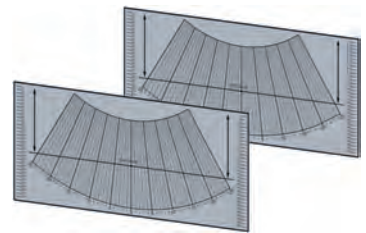
## AXIS50 LM basic configuration



2x laser measuring heads



2x turning plates



2x floor gauges



2x magnetic gauges



2x track gauges



Mobile equipment trolley

## Optional accessories:



1x electronic inclinometer



## Technical data of AXIS50LM

### Measuring accuracy

Toe	< 0,5 mm
Camber*	+/- 6 min.
Toe difference angle	+/- 15 min.

### Measuring range

Toe measurement	+/- 28 mm
Camber measurement*	Up to 5 degrees

\* (Electronic inclinometer required as optional accessory)

### Laser

Supply voltage	3 volts (2 x 1.5 volt AA batteries)
Radiated power	0,91 mW
Operating range	20 m
Laser class	2 -> DIN EN 60825-1

### Turning plate

Load capacity	9 tonnes per turning plate
---------------	----------------------------

## Laser wheel alignment system AXIS50LM

**Item no. 922 000 005**

We are happy to provide further information. Please call us!

### **HAWEKA GmbH**

Kokenhorststraße 4  
30938 Burgwedel  
Tel. +49 (0)5139-8996-0  
www.haweke.com  
info@haweke.com