

Assembly instruction

SAD

Upgrade kit for front camera

922 001 033

922 001 025



MAL 922 004

Assembly of the clamping pieces on the centre bar

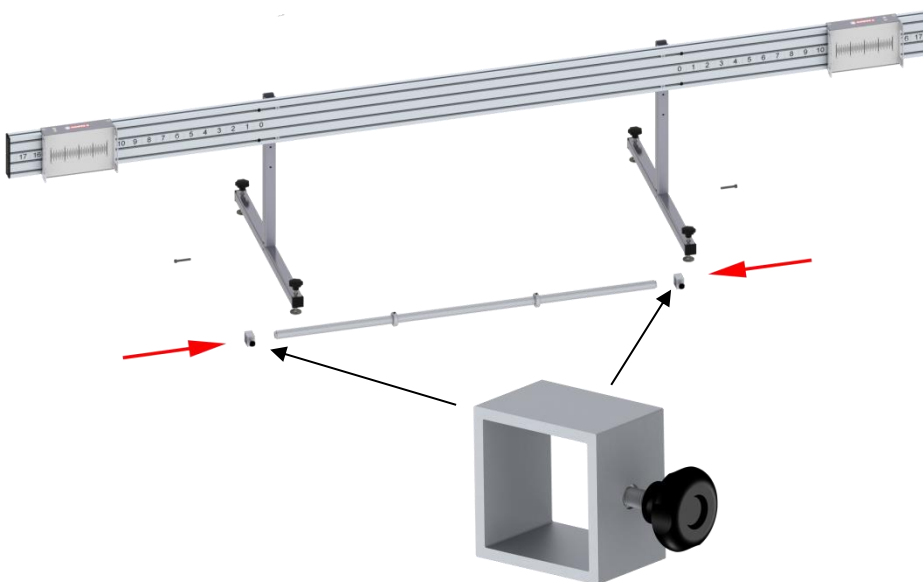
Step 1:

Remove the centre bar



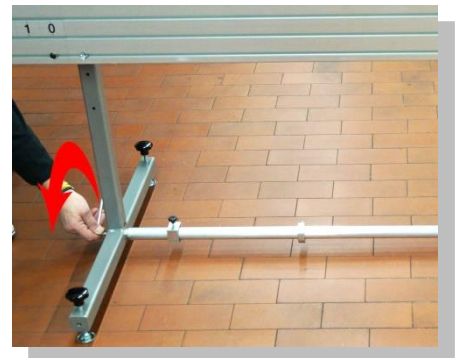
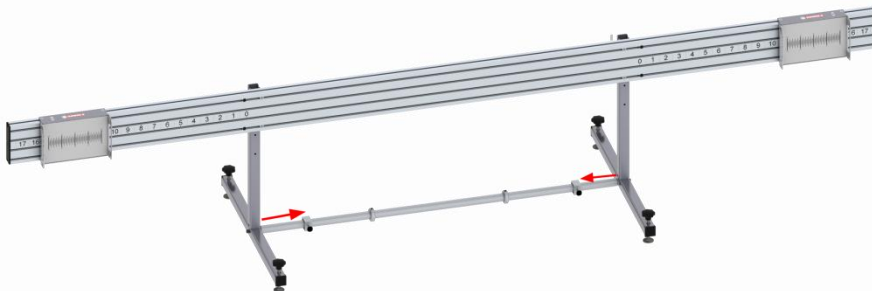
Step 2:

Slide the tube clamps on the centre bar left and right



Step 3

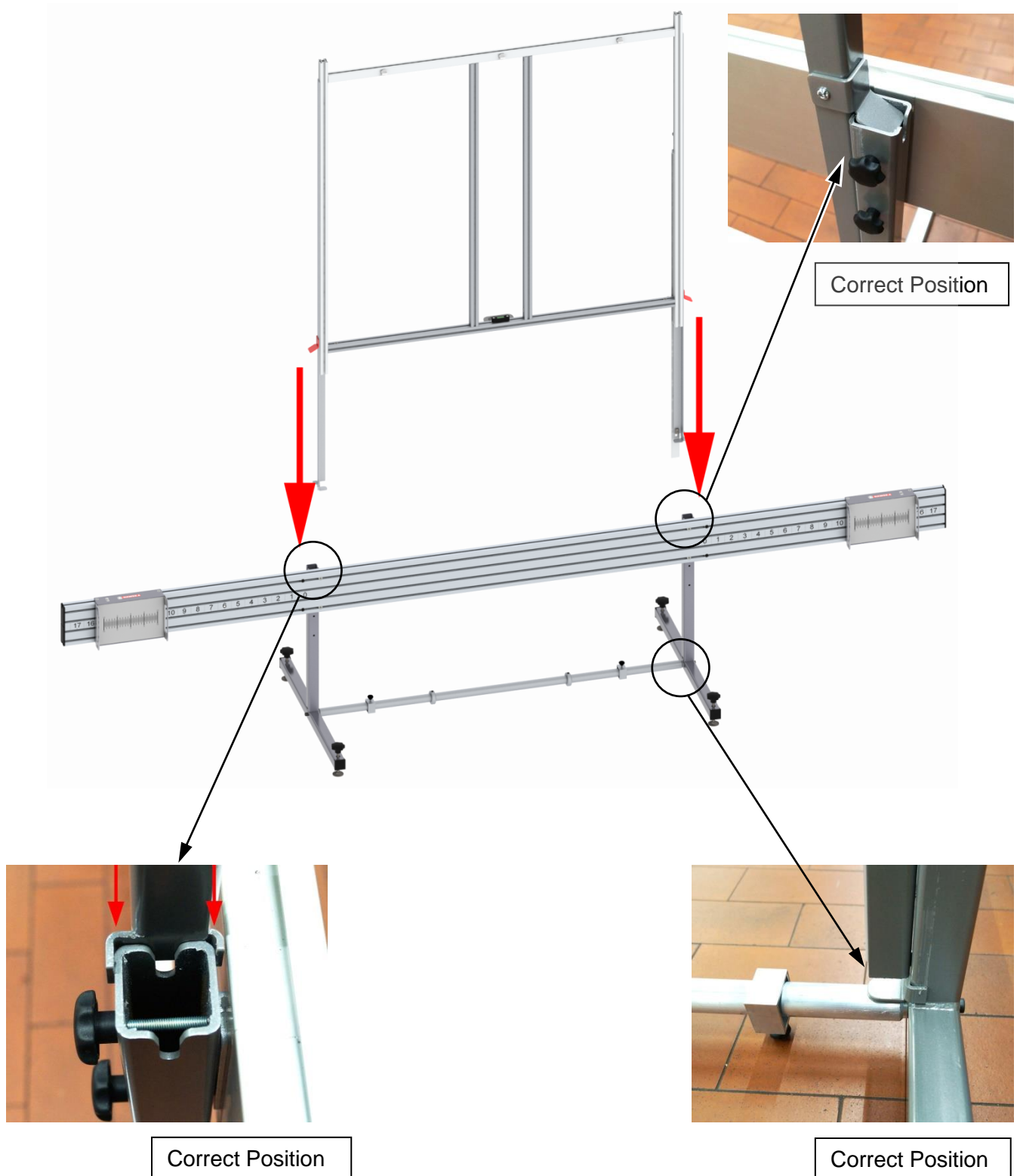
Move the tube clamps to the centre.
Reattach the centre bar.



Fitting of the reflector frame

Step 4

Attach the reflector frame until all tabs are located in the correct position.



Step 5

Position the tube clamps over the tabs and secure with the knurled screw.



Step 6

To adjust the height of the reflector frame loosen the knurled screws on both sides, adjust and retighten.



Step 7

Slightly loosen all 3 plastic screws, hook in the reflector panel and tighten plastic screws hand tight only.

