

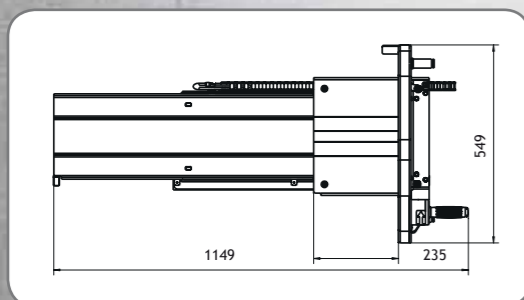
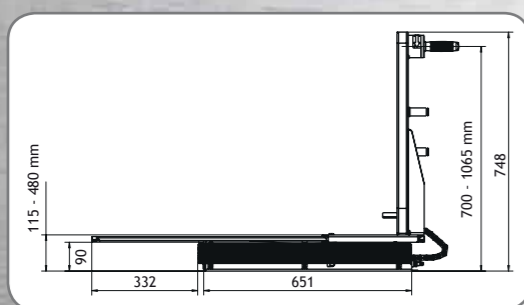
Wheel mounting requires the use of suitable tools to avoid manual handling of loads, a thing that might pose a risk to the health of employees. The average total weight by repeated daily lifting, lowering, carrying and holding a wheel amounts to 15.6 kg for car wheels and 26.5 kg for light truck wheels. These values are considered to be standard load values for wheel mounting.\*

The AirgoLift complies with the ergonomic principles of the German Directive on Handling of Loads, supports work processes and reduces working time.

\*Source: Lastenhandhabungsverordnung (German Directive on Handling of Loads)

## AirgoLift performance characteristics

- AirgoLift – the ideal supplement to the wheel balancing machine
- Flexible adjustment of lifting height
- Fast operation of the lift – by one hand only
- Intuitive operation with turning handle
- Suitable for all common balancing machines
- Ergonomic design
- Wheel weight up to 70 kg
- Wheel diameter 20" - 36"
- Compressed air connection
- Special holder for centering device
- Low height of 110 mm



Part-#: 916 000 017



AirgoLift - the highest level of ergonomics and flexibility.

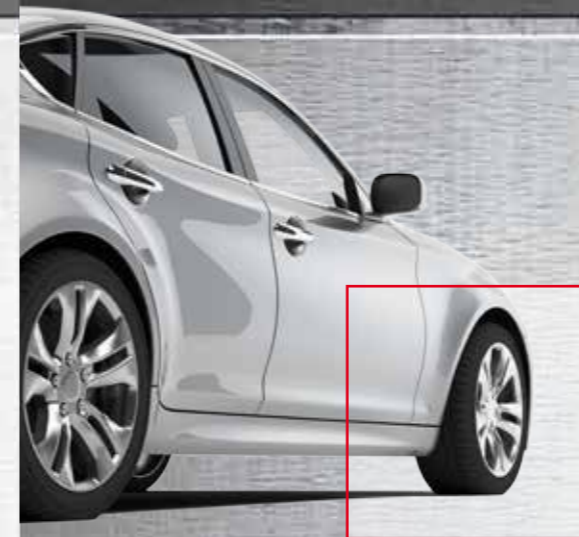
### Technical data

• Compressed air	6 - 8 bar
• Working pressure	7 bar
• Lifting height	480 mm
• max. horizontal travel	720 mm
• max. lifting weight	70 kg
• Weight (net)	35 kg



**Haweke AG**  
Kokenhorststraße 4  
30938 Burgwedel · Germany

Phone +49 5139 8996-0  
Fax +49 5139 8996-222  
Internet [www.haweke.com](http://www.haweke.com)  
E-Mail [info@haweke.com](mailto:info@haweke.com)



# AirgoLift

**THE NEW WHEEL LIFT –  
THE IDEAL SUPPLEMENT TO  
YOUR WHEEL BALANCING  
MACHINE**



# Our AirgoLift

## OPERATED BY ONE HAND ONLY – FOR A FLEXIBLE WHEEL CENTERING ON THE BALANCER

Discover the new AirgoLift from HAWEKA – the wheel that features easy handling, robustness and flexibility.

### HIGHEST LEVEL OF “AIRGONOMY”

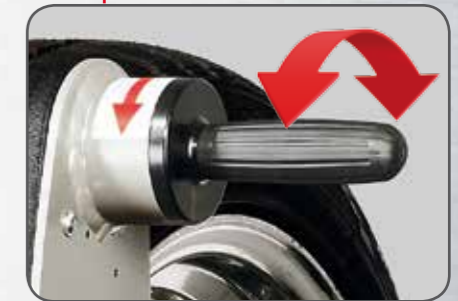
Speed, efficiency and safety measures are important factors in workshops and garages. HAWEKA has developed a lift that provides optimum support for the wheel centering process on balancing machines in all these areas.

The lift automatically moves up pneumatically and is lowered back down with the turning handle. It lifts and centers all types of car and light truck wheels up to 70 kg on the balancing machine with ease. One-hand operation and adjustable lifting height provide best possible flexibility for daily use.

Clamping and centering tools can be quickly removed from the adjacent, ergonomically positioned clamp holder to make the balancing process easier.

### STRONG AND FLEXIBLE – FOR AN EFFICIENT WORKFLOW

The robust quality of the AirgoLift and the high-quality materials ensure a long service life. The new, optimized panelling replace the protective bar on the AirgoLift to avoid any elements which might obstruct the work process.



One-hand operation and adjustable lifting height provide a high level of flexibility.



The ergonomically positioned clamping and centering tools can be removed from the holder in one swift movement.



The new AirgoLift - robust materials and optimized safety.

