

 **PRODUCT INFORMATION**

QuickPlate V

The new generation of the
variable flange plate adapter

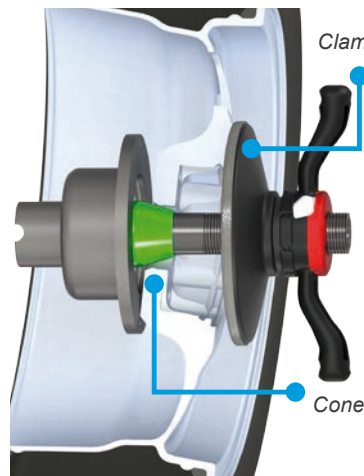


Proper mounting with the QuickPlate!

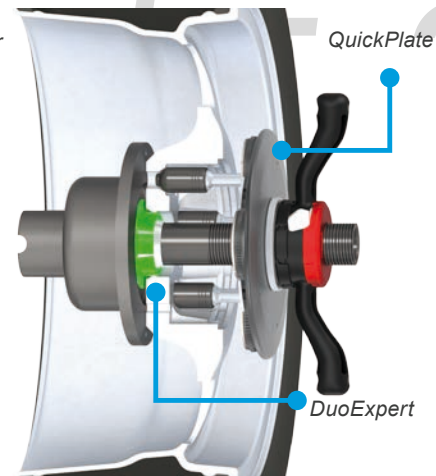
In order to achieve a professional and optimum balancing result, many factors must be considered when using centring and clamping devices.

The variable flange plate adapter **QuickPlate** is indispensable for **perfect mounting of the vehicle wheel** at the wheel balancing machine.

Correct use of the QuickPlate guarantees an optimum balancing result.



Mounting a wheel **without QuickPlate**. The rim can cant, the balancing result will get falsified.



Mounting a wheel **with the QuickPlate**. The correct centring and clamping devices guarantee a perfect balancing result.

Advantages of the QuickPlate

For all standard 4, 5 and 6 hole rims

Simple replacement of stud heads by means of plug system

No searching for the suitable pitch circle
Time saving + efficient processes



Covers existing and future pitch circles
93 mm to max. 189 mm (depending on QuickPlate type)

Almost break-proof construction



Low height
Can thus also be used for short threaded shafts

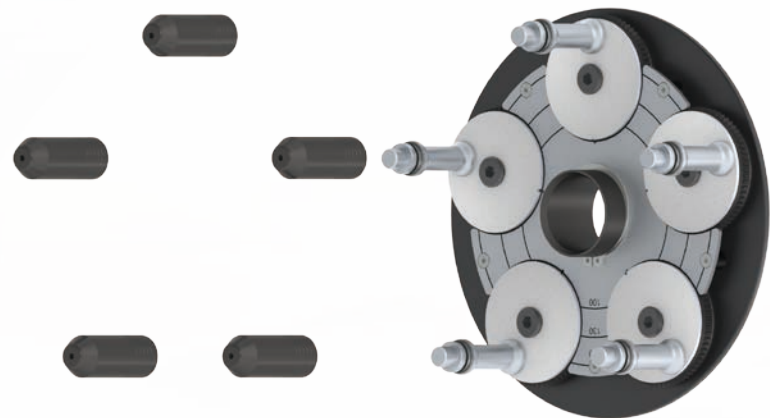
Low weight- only 1.9 kg
Easy handling



Pitch circle is fixed through
Pro Lock System



Use is easy on the rims



Example: 5 hole QuickPlate with stud heads



Optimum mounting and balancing of wheels!

A correct implementation of the balancing process is crucial for driving comfort, safety and customer satisfaction.

Perfect balancing already begins before starting the balancing machine – with the optimum centring and correct clamping of the wheel!

Highest precision

The QuickPlate simulates the correct clamping pressure, as the wheel nuts on the car. An inclination when inserting along the rim is not possible, this ensures an optimum balancing result.

Simple and careful application

Straightforward and continuous determination of pitch circle by means of rotatable eccentric unit. Quick and simple replacement of suitable stud heads. The Quick-Plate enables use that is easy on the rims.



QuickPlate

Time saving

You save valuable time with the Pro Lock System. Once you have determined the pitch circle, the Pro Lock System fixes the setting for the whole set of tyres.

Cost saving

Efficient work procedures and optimum balancing results achieve a noticeable cost saving.

Customer satisfaction based on competence

All advantages when using the QuickPlate ultimately result in your customer's satisfaction. Your competent and fast service conveys trust, and your customers are guaranteed to return.



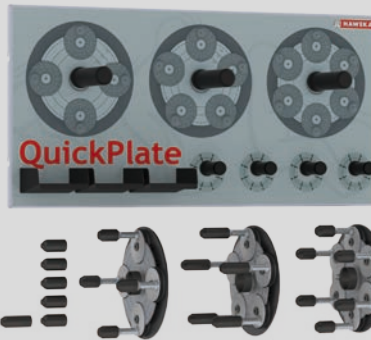
PRODUCT INFORMATION

Product overview

QuickPlate V set

4, 5 and 6 hole plate
incl. 4 sets of stud heads
and 1 wall board

Article no.: 210 400 001



*QuickPlate
user video!*
Scan QR code and
watch video.

QuickPlate



QuickPlate V (4 hole)

Clamping range: 93 – 183 mm

Article no.: 249 012 400



QuickPlate V (5 hole)

Clamping range: 96 – 186 mm

Article no.: 259 012 400



QuickPlate V (6 hole)

Clamping range: 99 – 189 mm

Article no.: 269 012 400

QuickPlate PN for pneumatic electro-mechanical / pneumatic clamping equipment

Hofmann / JBC / SnapOn Powerclamp / Sicam / Bosch / Beissbarth / Nussbaum / ATT / Corghi / Mondolfo



QuickPlate V (4 hole)

with standard bolt and handle

Article no.: 249 818 003



QuickPlate V (5 hole)

with standard bolt and handle

Article no.: 259 818 003



QuickPlate V (6 hole)

with standard bolt and handle

Article no.: 269 818 003

QuickPlate PN for pneumatic clamping equipment

Tip Top Probalance / Cemb Ø 40 mm



QuickPlate V (4 hole)

with standard bolt and handle

Article no.: 249 589 003



QuickPlate V (5 hole)

with standard bolt and handle

Article no.: 259 589 003



QuickPlate V (6 hole)

with standard bolt and handle

Article no.: 269 589 003