



Testing Device for Wheel Balancing Machines

900 008 148



Operating Instructions

GB

GEB 001 030

Table of contents:

1. Product Description.....	3
2. General Arrangement of the Testing Device	3
2.1 Testing Device 900 008 148	3
3. Preparation for Measurement	4
3.1 Balancer Setting.....	5
4. Measurement	5
4.1 Error Analysis	6
4.2 Preparations the third Test Run	6

This operating instruction is subject to technical alterations.

5.2 version

Testing Device for Wheel Balancers

Illustrations: HAWEKA GmbH / 30938 Burgwedel

Issue: 2023-03

This publication may not be reproduced in any form or by any means.

1. Product Description

This testing device is used for fast and accurate checking of all stationary wheel balancers by its user. Anyone can check easily the function and the display accuracy of his balancer and the condition of the adaptors.

Now an adjustment can be made even faster than previously as with this method it is not necessary to obtain a „zero-balanced wheel” beforehand.

This testing device corresponds to a “zero-balanced wheel” of 6,5J x 15.

The after-sales technician only has to be called if the balancer really does have a malfunction.



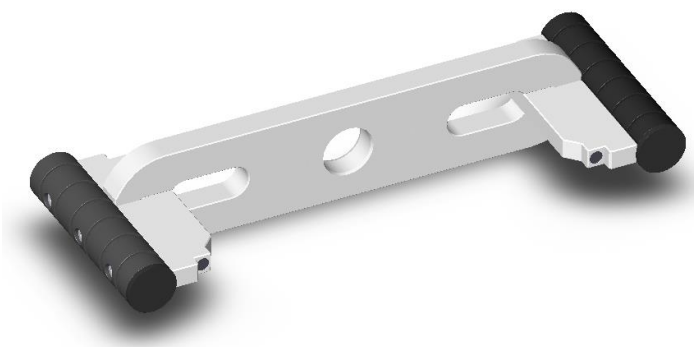
The testing device is a precision tool that has to be treated and maintained carefully. After use it has to be stored in the case in order to protect it from mechanic damages.

2. General Arrangement of the Testing Device

2.1 Testing Device 900 008 148

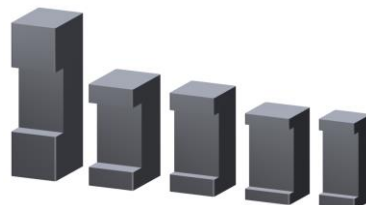
Content:

1 Test bar



(Ill.1)

1 Test weight 100g
1 Test weight 60g
1 Test weight 50g
1 Test weight 40g
1 Test weight 25g

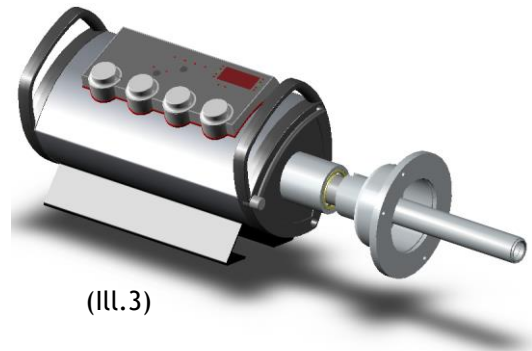


(Ill.2)

Incl. storage case (without illustration)

3. Preparation for Measurement

The basic centering device including threaded shaft has to be mounted on the balancer.



(Ill.3)



Note

The contact surfaces of the mid centering device (backplate) as well as of the testing device have to be thoroughly cleaned. Already the slightest rest of dirt or rust can result in major test errors.

Select a cone that fits well into the centre hole (**47 mm Ø**) of the test bar, e.g. cone HAWEKA P/N 150 400 011



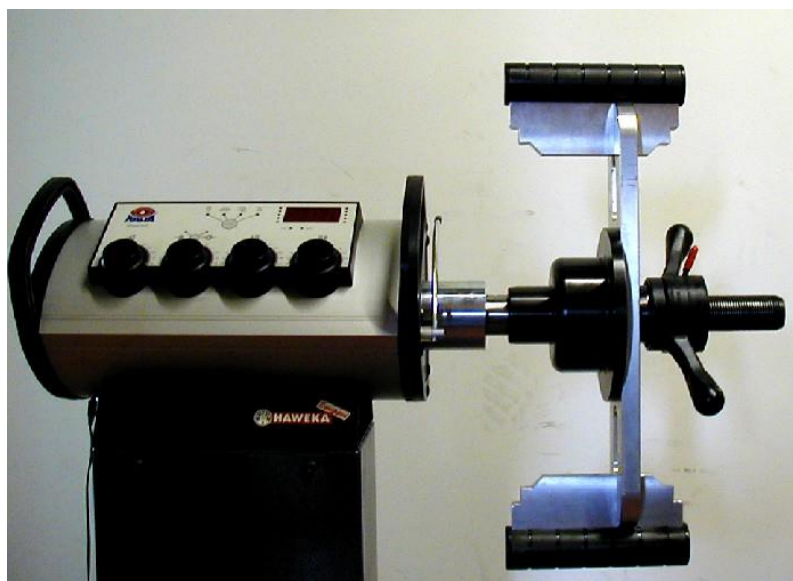
(Ill.4)



Note

It is necessary that the cone is a new value part and has no play on the threaded shaft.

The test bar is slid onto the balancer shaft, centered from the front using the cone and then tightened with a wing nut or quick nut (Ill. 5).

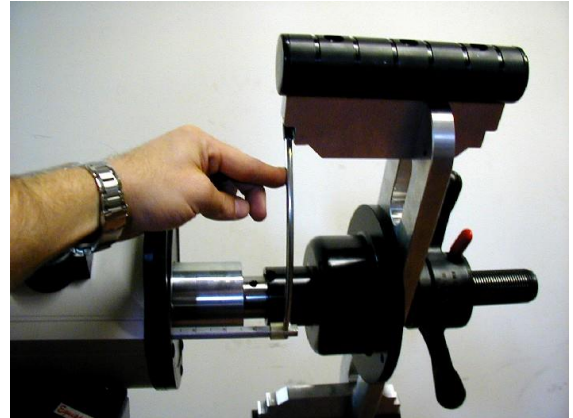


(Ill.5)

3.1 Balancer Setting

Firstly the distance between the testing device and the balancer has to be set.

Measure with the distance meter to the magnetic weight bearing surface (Ill. 6).



(Ill.6)

Insert 15“ as diameter and 6,5“ as width or use the key arms and the magnetic weight bearing surface to insert these data.

The testing mode includes the static as well as the dynamic balancing process.



Attention

On balancers with suppression of the residual value, this has to be switched off so that the balancer also shows smaller unbalances. Otherwise the balancer would show every smaller unbalance as the set minimum value, e.g. a real unbalance of 1 g would be shown as 5 g.

4. Measurement

First Test Run / Measuring Accuracy:

The first test run is executed without test weight. Readings of 0 - 5 g are acceptable for the measuring accuracy of the wheel balancer and the condition of the adaptors.

Second Test Run / Remount Errors:

The second test run is to check for remount errors without test weights. That means after having loosened the wing or quick nut, the testing device is turned by 180° on the balancer shaft, fixed again and then the test run is started. During the turning of the testing device, the back plate of the mid centering device (pot and shaft) has to be fixed, i.e. it must not turn at all. Also now results of 0 - 5 g are acceptable with regard to the condition of the adaptors.

The difference between the first and the second test run shows the unbalance resulting from the play between shaft and cone.



Note

Should the display show more than 5 g unbalance in one of these test runs, re-check the flange and balancer shaft for cleanness and wear.

4.1 Error Analysis

If the display still shows an unbalance, run the balancer once again without the testing device. If the display is ok then, either your mid centering device has too much run out or the testing device has been damaged.

If the inner and outer balance is at the same angle position, a different cone should be used, as this cone seems to have too much radial play on the shaft. This is the same for differences between the first and second test run.

4.2 Preparations the third Test Run

A minimum unbalance of under 5 g can be compensated by a calibration run of the wheel balancer. Should it be necessary to use a wheel for the calibration run, this can be replaced by the testing device in connection with a test weight. Please see the operating manual of your wheel balancer to choose the correct weight for the calibration run.

For further tests it is necessary to compensate all unbalances. This can be made by a compensation run of the wheel balancer which zeros all existing unbalances. Should the wheel balancer does not have such a function, the unbalance has to be compensated with balancing cement if necessary, so that a maximum unbalance of 1 g is not exceeded in both modes, static and dynamic.



Attention

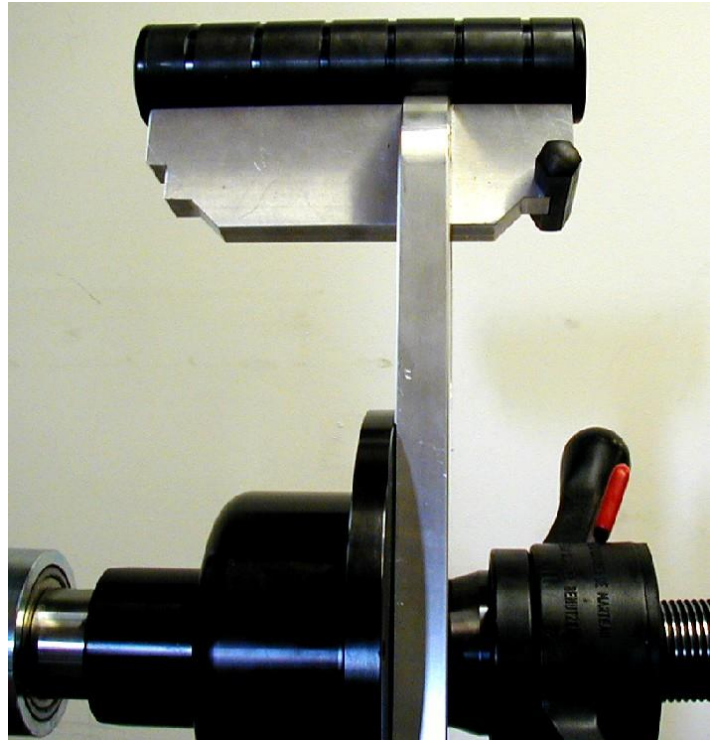
Without compensation, the acceptable unbalance of the adaptor would lead to misinterpretation and incorrect results of the following test.

Third Test Run / Separation of Levels:

The third test run is to check the separation of levels and the correct display of unbalance and its relative position. One weight of your choice is mounted on the outside (illustration 7) and the test run is started. In the dynamic mode, the wheel balancer must state the correct unbalance on the outside at the correct relative position. The tolerances indicated on the test report must be adhered to at the inside and at the outside.

After that, the weight is mounted on the inside and the test run is started. Also now the balancer has to display the correct weight and relative position correctly within the tolerance range.

When testing the relative position, the test weight must be located under the shaft in a 6 o'clock position $\pm 5^\circ$, as most balancers have an unbalance compensation in a 12 o'clock position. Some wheel balancers can be converted accordingly, in case of doubt, please see the operating instruction.



(Ill.7)

Should all values be out of tolerance, an adjusting of the wheel balancer is necessary. If the unbalance is not within the tolerances after adjusting, a service technician has to repair the wheel balancer.

If the balancer displays all the values as specified, this verifies that the balancer's measuring system is operating properly.



Note

If, however, there are still complaints from customers about unbalance problems with certain vehicles, it is probable that wrong or worn adaptors have been used. HAWEKA is always glad to provide you with information on the correct adaptors to be used. Just call us and ask for expert advice.

Prüfprotokoll / Test Report



Prüfvorrichtung / Testing Device 900 008 148

entspricht einem Nullrad 6,5Jx15"/is equivalent to a zero rim of size 6,5Jx15

Wuchtmaschine/ wheel balancer: _____	Serien-Nr. / Serial no.: _____						
Welle, Rundlauf / concentricity of shaft Anlagefläche, Planschlag / hub run out	<table border="1" style="width:100%; border-collapse: collapse;"> <tr> <th style="width:50%;">Sollwert / nominal value</th> <th style="width:50%;">Istwert / actual value</th> </tr> <tr> <td style="text-align: center;">≤ 0,05mm</td> <td style="text-align: center;"> </td> </tr> <tr> <td style="text-align: center;">≤ 0,02mm</td> <td style="text-align: center;"> </td> </tr> </table>	Sollwert / nominal value	Istwert / actual value	≤ 0,05mm		≤ 0,02mm	
Sollwert / nominal value	Istwert / actual value						
≤ 0,05mm							
≤ 0,02mm							
Spannmittel für / clamping means for Ø56mm: _____							
Prüfdatum / date: _____							
<input type="checkbox"/> Konus / cone							
<input type="checkbox"/> Duo-Expert							
Prüfer / tester: _____							
Kunde / customer: _____							
Vorgangsnummer/ document no.: _____							

Art der Prüfung/ method of testing:	Anzeigesollwert bei/ nominal value on display at Ø15"		Toleranz/ tolerance	Istwert/ actual value	Istwert / actual value dynamisch / dynamic	
	statisch/ static	dynamisch/ dynamic	Anzeige/ display	statisch/ static	innen/ inside	außen/ outside
Ohne Gewichte/ w/o calibration weight	0 g	0 g	+ 5 g			
Umschlagprüfung/ remount error w/o calibration weight	0 g	0 g	+ 5 g			

Für die folgende Prüfung muss jede Unwucht >1g durch einen Kompensationslauf der Wuchtmaschine oder mit Wuchtkitt kompensiert werden. / Before proceeding, any unbalance >1g must be compensated by using the compensation feature or using balancing putty.

Mit Prüfgewicht/ w/ calibration weight:	Anzeigesollwert bei/ nominal value on display at Ø15"		Toleranz / tolerance		Istwert / actual value	
	innen/ inside	außen/ outside	Anzeige/ display	Winkellage/ position	innen/ inside	außen/ outside
100g außen/outside	0 g	100 g	± 5 g	± 5°		
100g innen/inside	100 g	0 g	± 5 g	± 5°		
60g außen/outside	0 g	60 g	± 4 g	± 5°		
60g innen/inside	60 g	0 g	± 4 g	± 5°		
50g außen/outside	0 g	50 g	± 4 g	± 5°		
50g innen/inside	50 g	0 g	± 4 g	± 5°		
40g außen/outside	0 g	40 g	± 4 g	± 5°		
40g innen/inside	40 g	0 g	± 4 g	± 5°		
25g außen/outside	0 g	25 g	± 3 g	± 5°		
25g innen/inside	25 g	0 g	± 3 g	± 5°		

- Werte sind innerhalb der Toleranzen / actual value is in tolerance
- Werte sind außerhalb der Toleranzen / actual value is out of tolerance
Reparatur notwendig / call service

Stempel und Unterschrift