

 **PRODUCT INFORMATION**

SoftGrip

Quick-action clamping nut

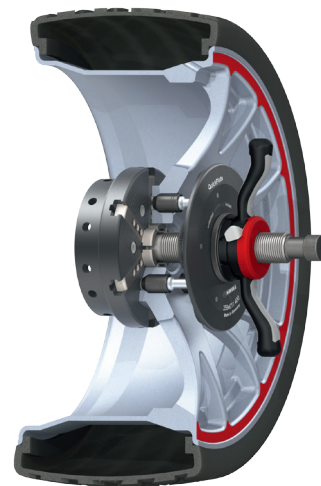
Product description

With the SoftGrip a perfect clamping of the wheel on the balancing machine is achieved. The new ergonomic design with soft-touch handle, a patented quick action mechanism and a low overall height allows an optimal result.



Product features

- Lower height (enables use of the flange plate adaptors and QuickPlate also with short threaded shafts)
- Low weight
- Ergonomic design with soft-touch handle
- Improved quick-action mechanism
- Upgraded threaded jaws with bigger bearing surface allows a higher torque and prevents opening under load
- Optimized sliding properties prevent rapid wear of the threaded shaft
- Available in different thread sizes

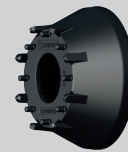


Application of the SoftGrip on the wheel
(in combination with QuickPlate and QuickHub)


PRODUCT INFORMATION
Product overview

Description	Part no.
SoftGrip Tr 40 x 3	144 403 000
SoftGrip Tr 40 x 3 incl. handles	144 403 001
SoftGrip Tr 40 x 3 + clamping hood	125 403 000
SoftGrip Tr 40 x 3 incl. handles + clamping hood	125 403 001
SoftGrip Tr 40 x 4	144 404 000
SoftGrip Tr 40 x 4 incl. handles	144 404 001
SoftGrip Tr 40 x 4 + clamping hood	125 404 000
SoftGrip Tr 40 x 4 incl. handles + clamping hood	125 404 001
SoftGrip Tr 40 x 8	144 408 000
SoftGrip Tr 40 x 8 incl. handles	144 408 001
SoftGrip Tr 40 x 8 + clamping hood	125 408 000
SoftGrip Tr 40 x 8 incl. handles + clamping hood	125 408 001
Clamping hood	190 008 065


SoftGrip

SoftGrip with handles

Clamping hood