



TECHNOLOGIES FOR SMOOTH-RIDING VEHICLES

**i** PRODUCT INFORMATION

ONE FOR ALL

# QuickHub

The universal Mid Centering Device





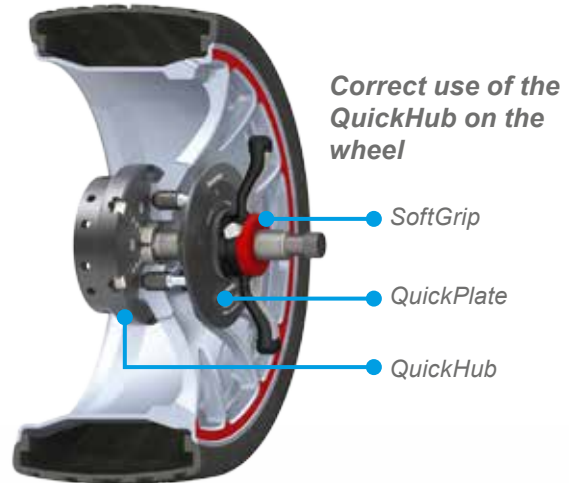
## QuickHub - one for all

The QuickHub replaces all conventional centering devices. There is no need to search for suitable centering devices, which **saves you time and money!**

With our universal QuickHub centering is fully adjustable without high effort.

The clamping range is between 53,5 - 171,5 mm\* (\*with additional attachments).

Wheels of cars, Off-Road 4x4 and light trucks can be efficiently and accurately centered with our QuickHub.



## The advantages of the QuickHub

Replaces all centering devices for cars, Off-Road 4x4, light truck

No searching for matching centering devices  
Time savings

For all common wheel balancers conical and cylindrical

Fewer work steps than with conventional applications

Center stepless from 53,5 mm - 171,5 mm

Faster than pneumatic or electro-mechanical clamping system

Work-saving application  
No effort, no counteraction against the spring force

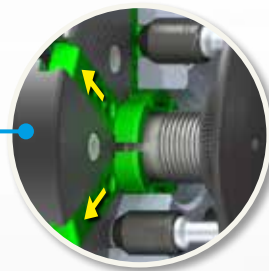
Exact centering, tolerance free

Pre adjustment of hub diameter possible



### Time and cost savings

Other centering devices are no longer required, so that there is no longer any need to search for suitable centering means.



### Stepless centering

The QuickHub enables precise, stepless centering thanks to the patented toggle mechanism.



QuickHub user video!  
Scan QR code,  
watch the video.



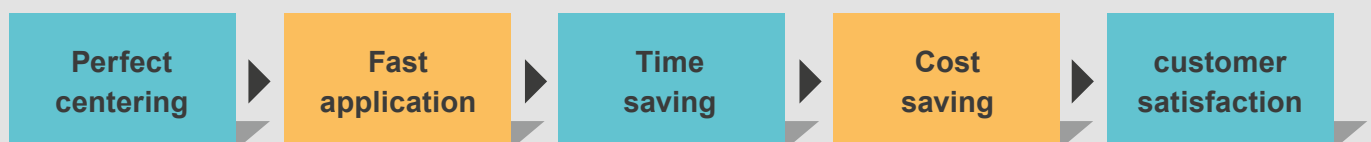
## 4 additional attachments for larger clamping ranges

There are four versions of additional attachments available to expand the clamping range of the QuickHub. By quickly attaching the additional attachments, the clamping range increases up to 171.5 mm. The attachments are color-coded, with the help of the supplied hole gauge the correct attachments for the respective bolt circle can be determined.

<p>① <b>Clamping range</b> <b>74,9 - 98,5 mm</b> 6 pcs./set, for cars and OffRoad ▶ Included in delivery</p>			
<p>② <b>Clamping range</b> <b>98,5 - 122,1 mm</b> 6 pcs./set, for cars and OffRoad ▶ Included in delivery</p>			
<p>③ <b>Clamping range</b> <b>123,5 - 147,1 mm</b> 6 pcs./set, for light trucks ▶ Optionally available</p>			
<p>④ <b>Clamping range</b> <b>147,9 - 171,5 mm</b> 6 pcs./set, for light trucks ▶ Optionally available</p>			

*Application of the additional attachments on the QuickHub, minimum to maximum clamping range.*

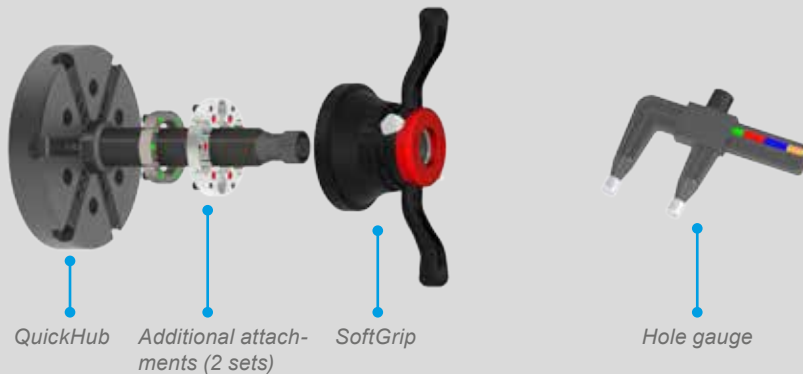
## Centering a wheel with the QuickHub allows you to ...



Proper implementation of the balancing process is crucial for driving comfort, safety and customer satisfaction. Haweka offers you the necessary tools for this.


**PRODUCT INFORMATION**
**Product overview**

1 QuickHub, 1 SoftGrip, 1 hole gauge and 2 sets of additional attachments (6 pieces per set)  
Clamping ranges: 74.9 - 98.5 mm and 98.5 - 122.1 mm



**Item numbers** (listed according to connection type and balancing machine manufacturer)

**Cylindrical machine connections**

105 447 006	Bright
105 589 007	Cemb ø40 / Hofmann Megaplan / TipTop
105 618 006	Hunter GSP
105 627 006	RAV / Butler / Space
105 907 006	Corghì ø40 PN + Standard
105 957 005	JBC / Hofmann (since 2014)

**Cylindrical machine connections**

105 589 006	Cemb / Hofmann Megaplan / TipTop Probalance (pneumatics)
-------------	--

**Conical machine connections**

105 818 006	Beissbarth / Sicam / M & B
-------------	----------------------------

**Optional accessories**

**Additional attachments** (suitable for light trucks)

Clamping ranges from:

③ 123,5 - 147,1 mm  
(6 pieces per set)

**Item number: 100e008 037**



④ 147,9 - 171,5 mm  
(6 pieces per set)

**Item number: 100e008 036**

