

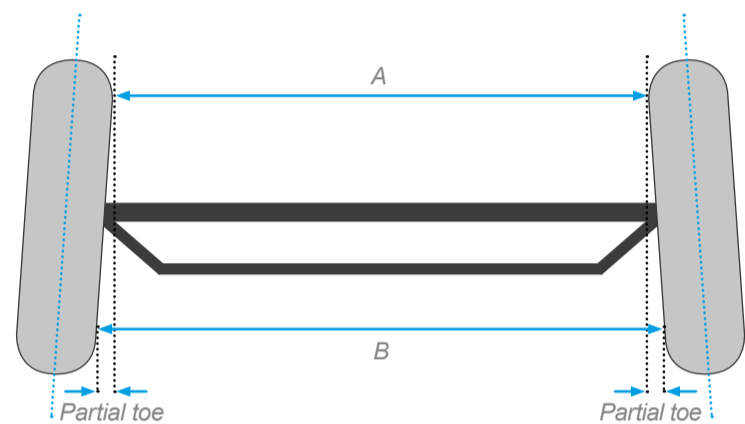


# Axle Geometry - Interesting Facts

Important information about the toe, camber, castor and king pin inclination of cars, commercial vehicles, semi-trailers and trailers.

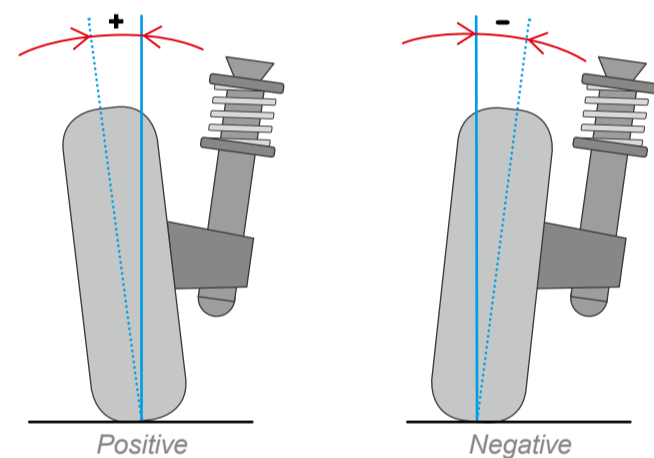
## Toe

- Toe: Difference from B to A, measured between the rim flanges at the middle height of the rim.
- Toe-in: B greater than A (>)
- Toe-out: B less than A (<)
- Toe zero: B equal to A (=)



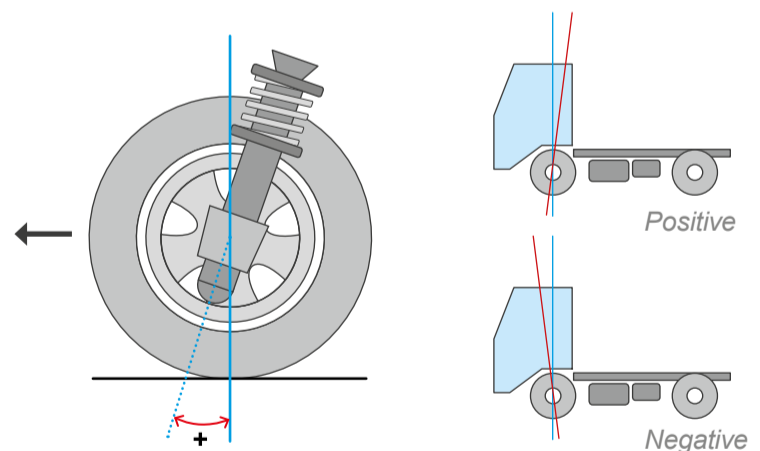
## Camber

- Camber: The angle between the centre of the wheel plane and an angle vertical to the road surface plane
- Positive camber: The wheel is inclined outwards at the top
- Negative camber: The wheel is inclined inwards



## Castor

- Castor: Inclination of the swivelling axis in the direction of the longitudinal axis of the vehicle compared to vertical inclination to the road
- Positive castor: the wheel contact point castors to the swivelling axis



## King pin inclination

- King pin inclination: Inclination of the swivelling axis compared to vertical inclination to the road

